

Technical data

Description:	Terminal block RKA 16
Construction:	Fingersafe IP 20
Item no. :	087110

Remarks: The product is compliant with the EC ROHS directives

Standards: IEC 60947-7-1, IEC 61238-1-1



Nominal Voltage: 1.000 V AC / 1.000 V DC

Nominal current: Cu 76 A, Al 62 A

Rated cross-section: 16 mm²

Impulse withstand voltage: 8 kV

Pollution degree: 3

Surge voltage category: III

CTI value: 550

Terminal cross section:

	no. of connections: 2 x 16 mm ² (all conductor types)	
	IEC 60947-7-1	IEC 61238-1-1
	Cu	Al
16 mm ²	-	6 Nm
10 mm ²	3 Nm	-
6 mm ²		
4 mm ²		
2,5 mm ²		
1,5 mm ²	3 Nm	-
1 mm ²	-	-
stripping length	12 mm	
allen screw	M6 (SW 3 mm)	

solid
 compact stranded
 fine stranded with ferrule

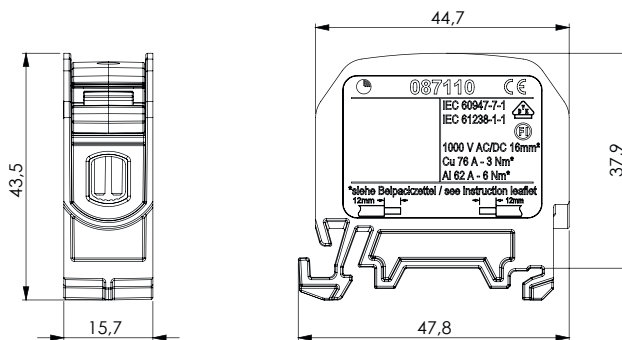
Materials: Terminal body: Aluminium tin plated

Housing: PA 6 (Halogen-free)

Screws: Steel zinc plated

Flame resistance: Self-extinguishing

Mechanical data: Dimensions: width x height x depth (mm): 15,7 x 43,5 x 47,8



Design

Basic housing colour – light grey RAL 7035

Part no.	Design	Cover colour	PU	GTIN (EAN)
087110-0-3	L G	light grey RAL 7035	9 / 162	4051589871105
087110-1-3	N	light blue RAL 5012	9 / 162	4051589871112
087110-2-3	PE	yellow-green RAL 6018	9 / 162	4051589871129
087110-3-3	LB	clay brown RAL 8003	9 / 162	4051589871136
087110-4-3	LS	jet black RAL 9005	9 / 162	4051589871143