



TLUM152200240DF4

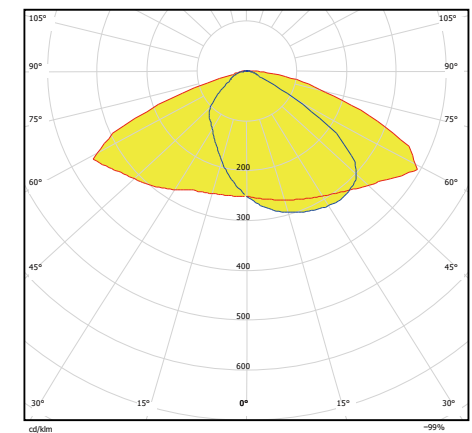
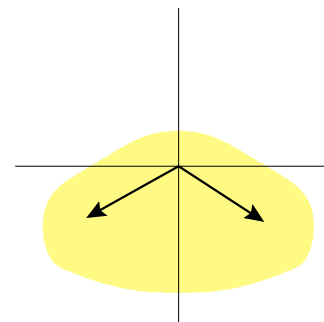


Projecteur TECO LED LUMI 152W/200W/240W 4000K IP66
 LUMI TECO LED Straler 152W/200W/240W 4000K IP66
 TECO LED- Strahler LUMI 152W/200W/240W 4000K IP66
 TECO LED LUMI projector 152W/200W/240W 4000K IP66

PACKAGE CONTENTS

0.5 m	IP66
IN	4000K
Ra ≥80	1-10V
5	CASA MBI COMPATIBLE

Beam-angle : TYPE 3 - 90° x 150°



SAFETY INFORMATION

WARNING: Risk of Fire, Electrical Shock, Cuts or other Casualty Hazards- Installation and maintenance of this product must be performed by a qualified electrician. This product must be installed in accordance with the applicable installation code by a person familiar with the construction and operation of the product and hazards involved.

WARNING: To reduce risk of fire, electric shock, or injury to persons.

- Risk of Fire and Electric Shock- Make certain power is OFF before starting installation or attempting any maintenance. Disconnect power at fuse or circuit breaker.
- Risk of Burn- Disconnect power and allow fixture to cool before handling or servicing.
- Suitable for wet location and operation in temperatures not exceeding 50°C
- For use in 220-240Vac application.
- Replace the lens if damaged.
- There are no serviceable parts inside the fixture.
- Risk of Personal Injury- Fixture may become damaged and/or unstable if not installed properly. Failure to comply with these instructions may result in death, serious bodily injury and property damage.






SAVE THESE INSTRUCTIONS. For safest operation, read and become familiar with complete installation instructions prior to use. Pay close attention to this manual and stay within its guidelines when using this product.

CAUTION:

- All parts must be used as indicated in this manual. Do not substitute any parts, leave parts out, or use parts that are worn out or broken.
- LEDs emit bright light. Avoid looking directly at the light source.

PREPARATION

Before beginning assembly, installation, or operation of product, make sure all parts are present. Compare parts with package and hardware contents list on page 1. If parts are missing or damaged, do not attempt to assemble, install or operate the product. Contact customer service for replacement parts.

		Yellow/Green
L		Brown
N		Blue
1-10V DIM -		Grey
1-10V DIM+		Black

INSTALLATION INSTRUCTIONS

1. Mount fixture to surface according to the hole pattern (Fig.1).

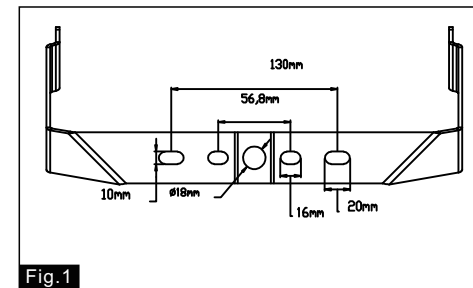


Fig. 1

2. Loosen screw and adjust the fixture to a desired illumination angle, then tighten screw (Fig.2).

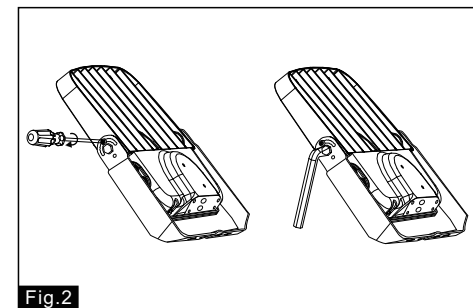


Fig. 2

WATTAGE SWITCHABLE

The fixture is equipped with three working wattage options, 240W / 200W / 150W. The default wattage is 200W. To change it, please follow the steps below:

1. Remove the cover by screwdriver (Fig.6).
2. Set the switch to the corresponding wattage position (Fig.7).
3. Put the cover back and tighten it by screwdriver (Fig.8).

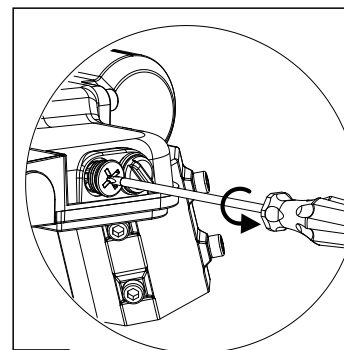


Fig. 6

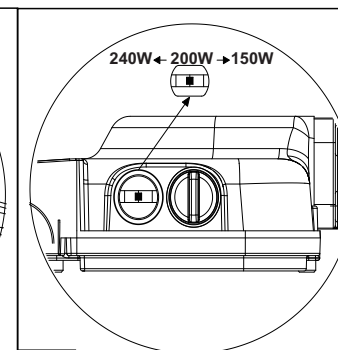


Fig. 7

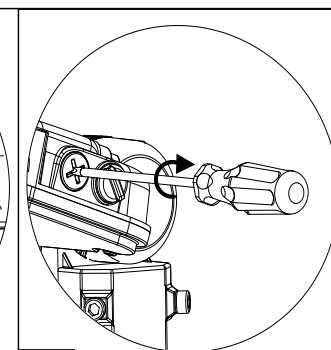


Fig. 8