

420 mm

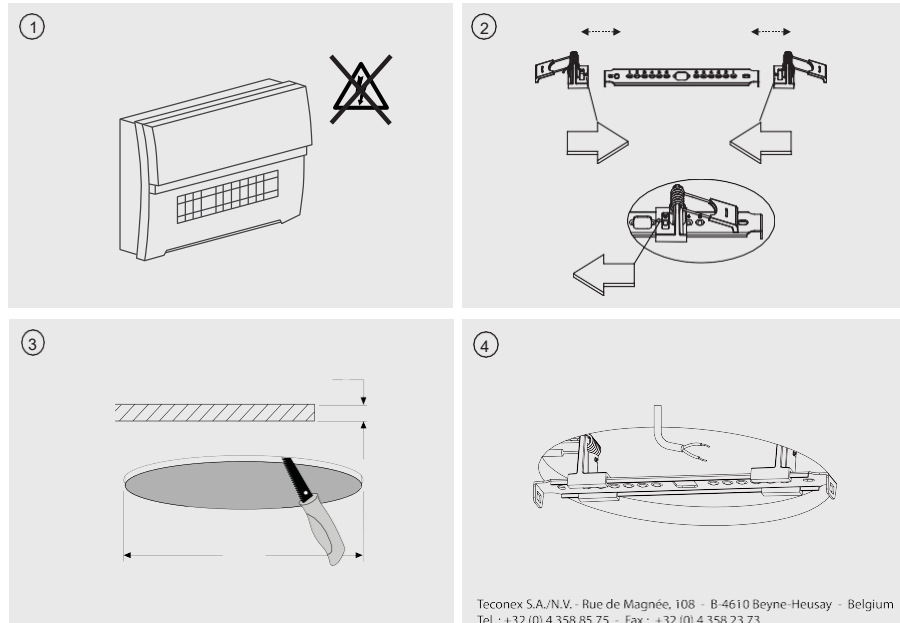
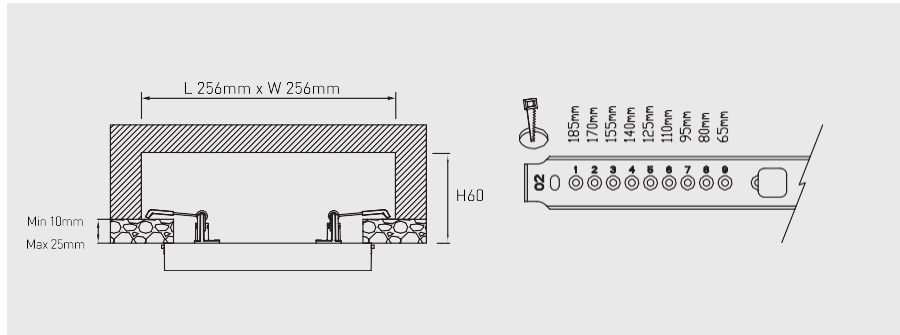
Teco LIGHTING
LUNO TLUN22018 CCTIP40
LUNO TLUN22018 CCTIP40MO
 NOTICE DE MONTAGE/
 /GEBRUIKSAANWIJZING/GEBRAUCHSANLEITUNG/MOUNTING INSTRUCTIONS

65-185mm

NOTE - To comply with regulations, installation must be carried out by suitably qualified competent person and in accordance with the current IEE Wiring Regulations (BS7671) and Building Regulations. A copy of the instructions must be left for the user/maintenance engineer for future reference.

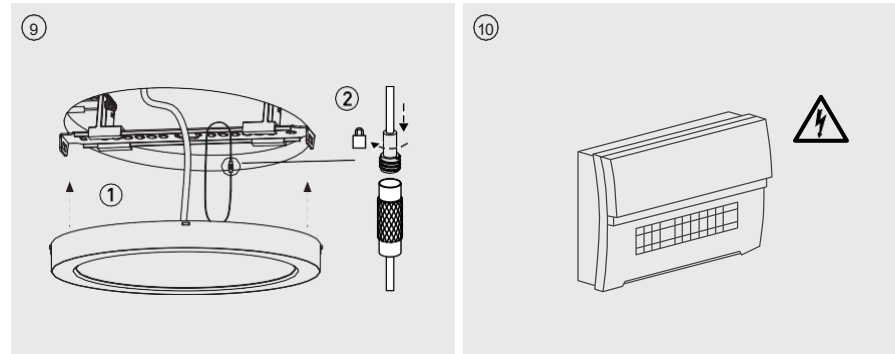
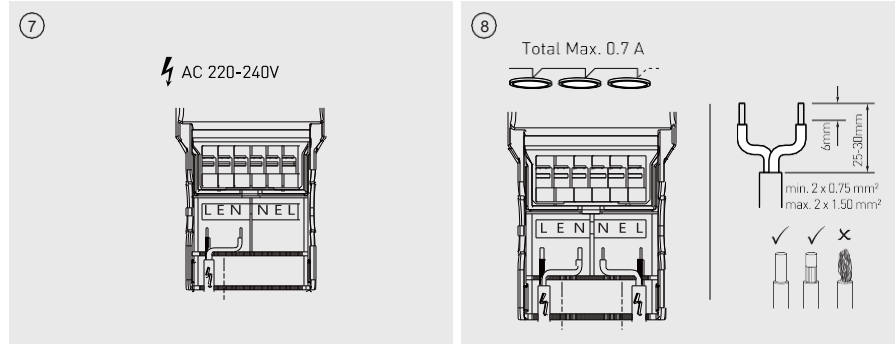
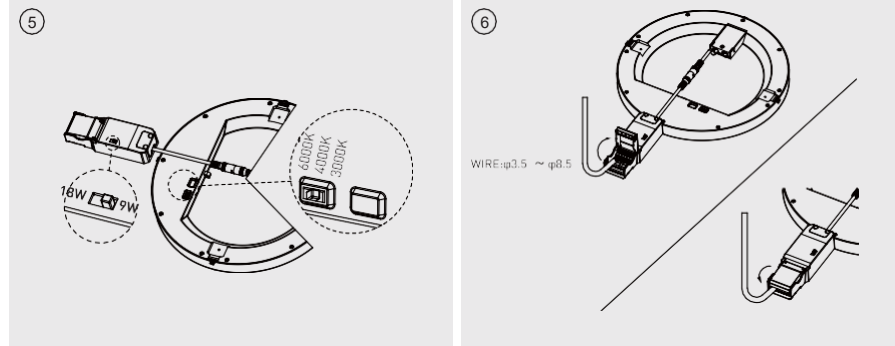
For non-UK, please refer/consult local requirements

**ENSURE ELECTRICAL SUPPLY IS DISCONNECTED/
 ISOLATED BEFORE COMMENCING INSTALLATION**



Teconex S.A./N.V. - Rue de Magnée, 108 - B-4610 Beyne-Heusay - Belgium
 Tel.: +32 (0) 4 358 85 75 - Fax: +32 (0) 4 358 23 73
 info@teconex.be - www.teconex.eu

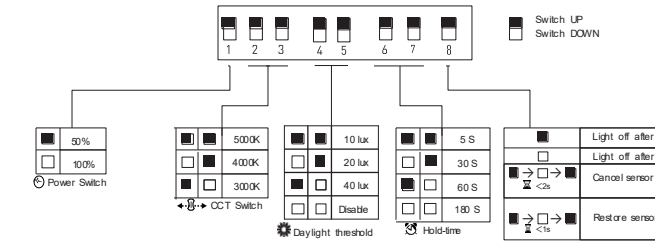
Teco LIGHTING
LUNO TLUN22018 CCTIP40
LUNO TLUN22018 CCTIP40MO
 NOTICE DE MONTAGE/
 /GEBRUIKSAANWIJZING/GEBRAUCHSANLEITUNG/MOUNTING INSTRUCTIONS



Teconex S.A./N.V. - Rue de Magnée, 108 - B-4610 Beyne-Heusay - Belgium
 Tel.: +32 (0) 4 358 85 75 - Fax: +32 (0) 4 358 23 73
 info@teconex.be - www.teconex.eu

SENSOR INSTRUCTIONS

Teco LIGHTING
Instructions sensor



Sensing Range: 120' @ 3M installation height
 Sensing Distance: Max radius 3M @ 3M installation height
 Installation height: 2.5M-3M
 Factory setting :
 Power Switch: 100%, CCT Switch: 5000K, Daylight threshold: 10 lux, Hold-time: 5S, On light off

Teconex S.A./N.V. - Rue de Magnée, 108 - B-4610 Beyne-Heusay - Belgium
 Tel.: +32 (0) 4 358 85 75 - Fax: +32 (0) 4 358 23 73
 info@teconex.be - www.teconex.eu

297 mm